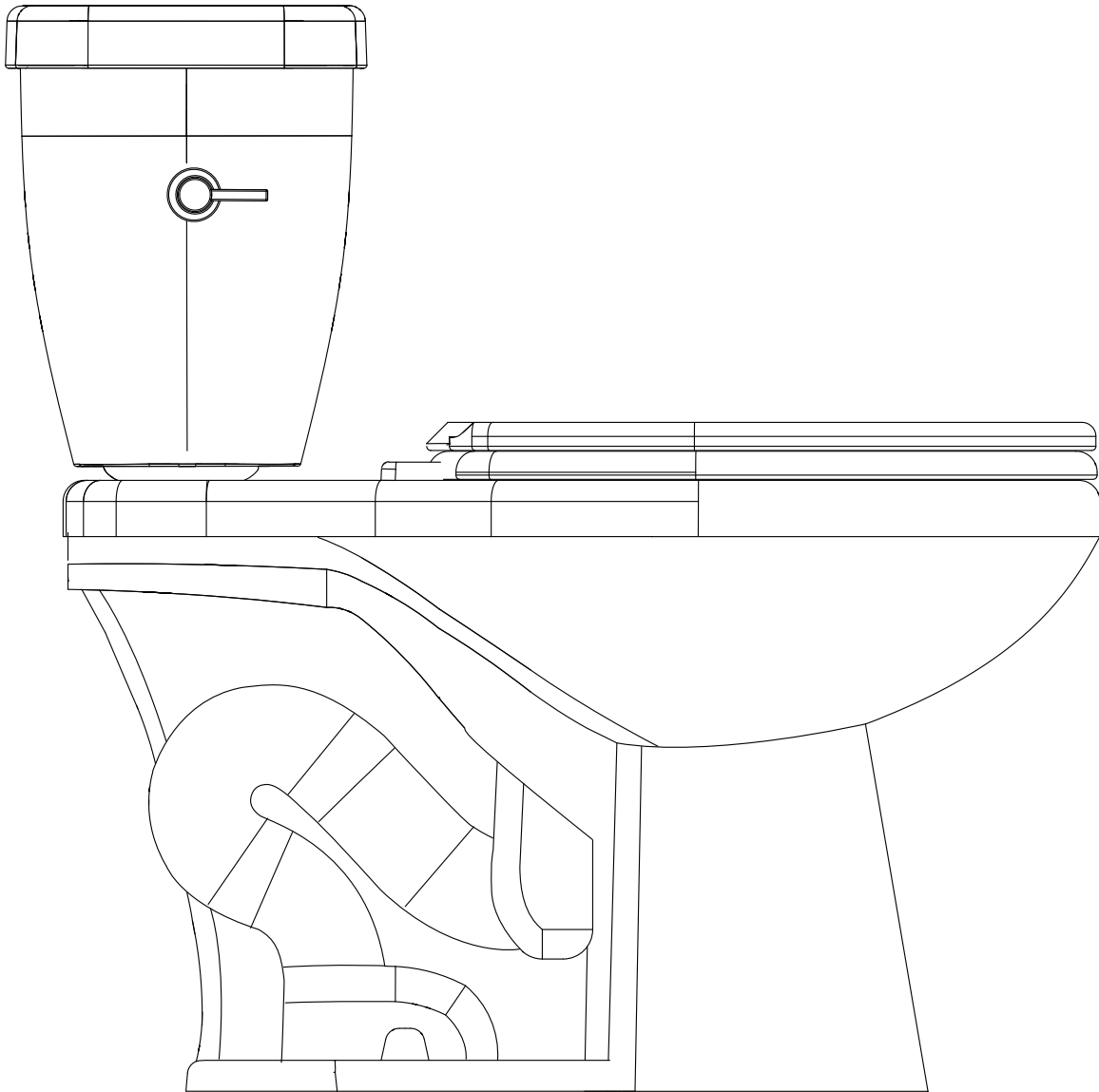


Drawing Title: EcoLogic Sentinel 1.28 Elongated - Side View

Drawing #: EcoLogic_128_N2235T&N2235EB

Scale: 1 to 5



PROPRIETARY AND CONFIDENTIAL

The design, concept, drawing and or data expressed here-in are proprietary and may not be used, produced, copied or shared with others, in whole or in part. It is expressly prohibited without the written permission of Niagara.

SUBMITTER INFORMATION

Submitted By:

Address 1:

Address 2:

City:

State: Zip:

PROJECT INFORMATION

POC:

Address 1:

Address 2:

City:

State: Zip:



ECOLOGIC™
NO FLAPPER.
NO LEAKS.
NO WORRIES.