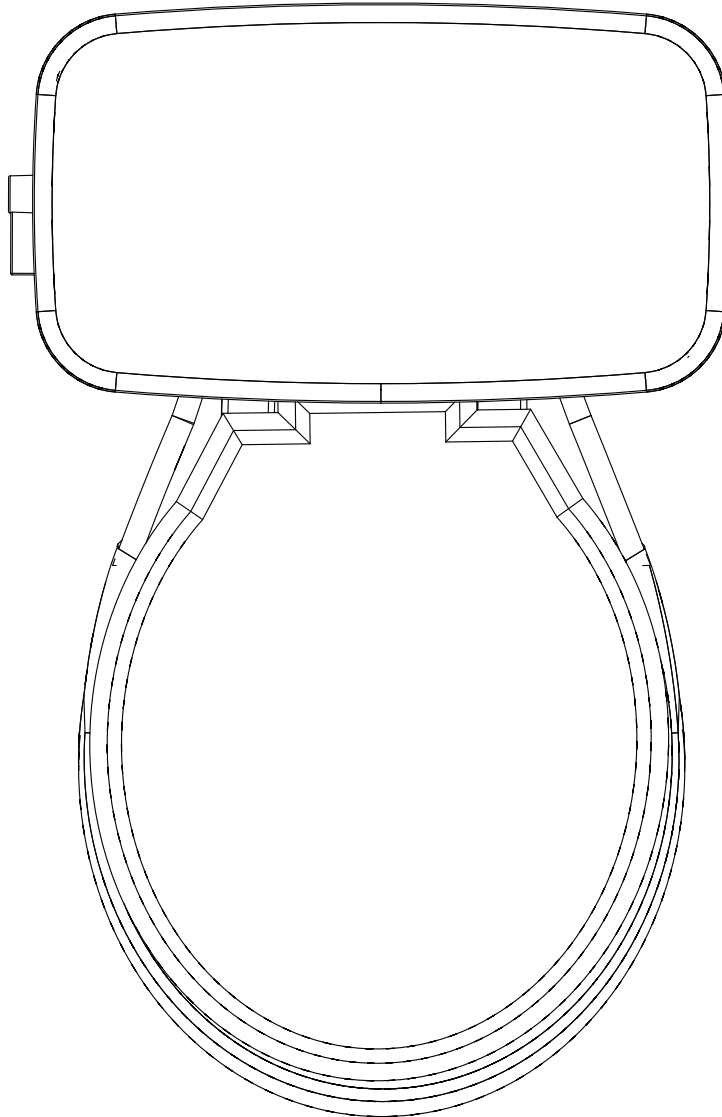


**Drawing Title:** EcoLogic Sentinel 1.28 Round- Top View

**Drawing #:** EcoLogic\_128\_N2235T&N2235RB

**Scale:** 1 to 5



**PROPRIETARY AND CONFIDENTIAL**

The design, concept, drawing and or data expressed here-in are proprietary and may not be used, produced, copied or shared with others, in whole or in part. It is expressly prohibited without the written permission of Niagara.

**SUBMITTER INFORMATION**

Submitted By:

Address 1:

Address 2:

City:

State: Zip:

**PROJECT INFORMATION**

POC:

Address 1:

Address 2:

City:

State: Zip:

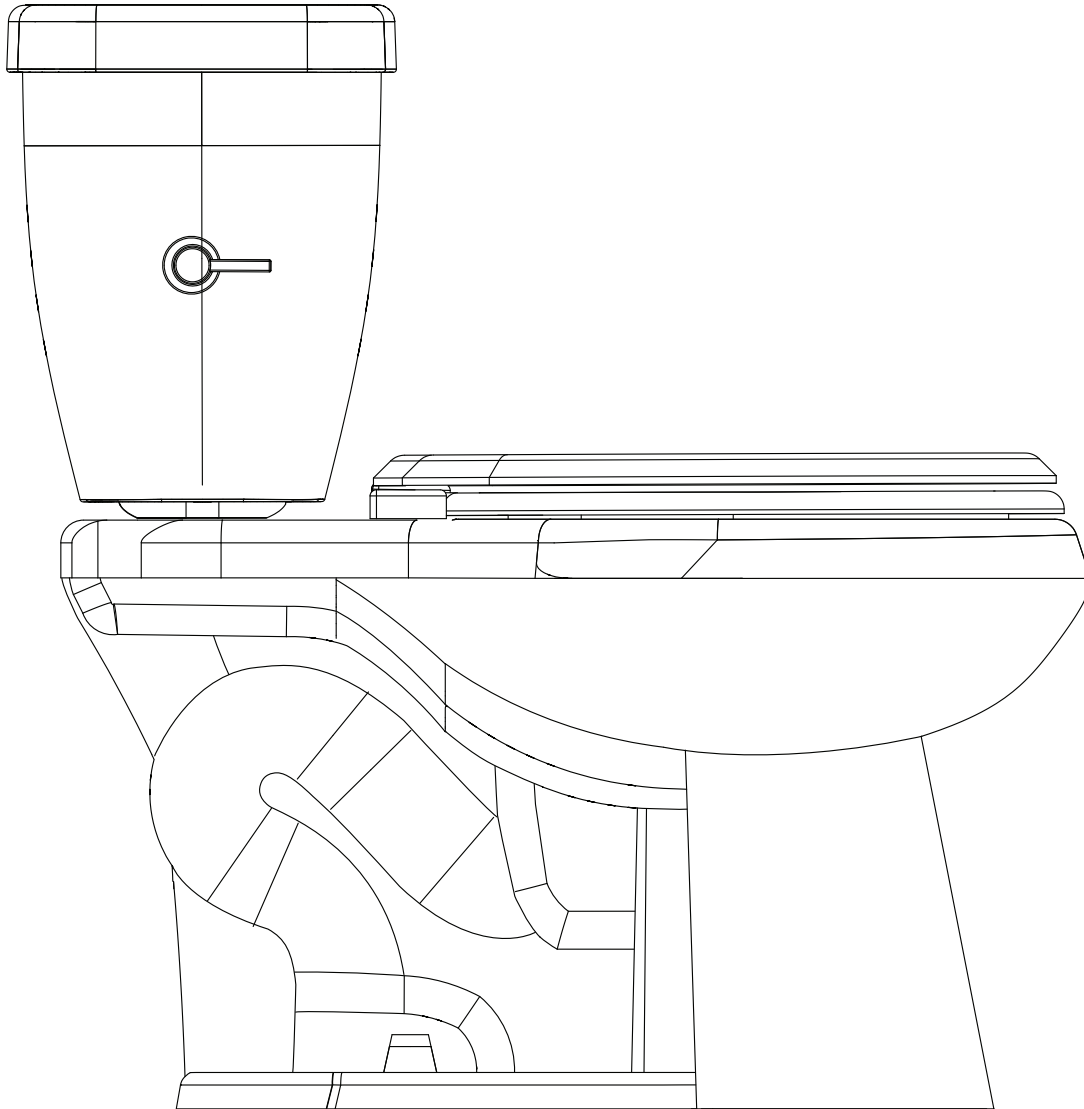


**ECOLOGIC®**  
NO FLAPPER.  
NO LEAKS.  
NO WORRIES.

**Drawing Title:** EcoLogic Sentinel 1.28 Round- Side View

**Drawing #:** EcoLogic\_128\_N2235T&N2235RB

**Scale:** 1 to 5



**PROPRIETARY AND CONFIDENTIAL**

The design, concept, drawing and or data expressed here-in are proprietary and may not be used, produced, copied or shared with others, in whole or in part. It is expressly prohibited without the written permission of Niagara.

**SUBMITTER INFORMATION**

Submitted By:

Address 1:

Address 2:

City:

State: Zip:

**PROJECT INFORMATION**

POC:

Address 1:

Address 2:

City:

State: Zip:

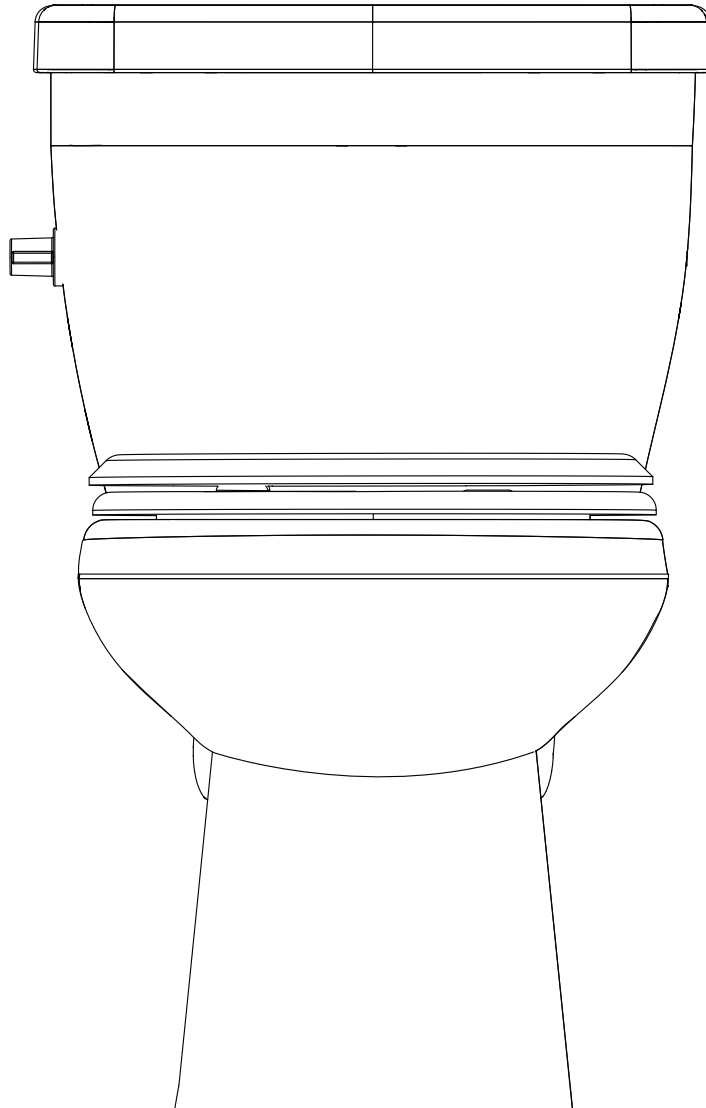


**ECOLOGIC®**  
NO FLAPPER.  
NO LEAKS.  
NO WORRIES.

**Drawing Title:** EcoLogic Sentinel 1.28 Round- Front View

**Drawing #:** EcoLogic\_128\_N2235T&N2235RB

**Scale:** 1 to 5



**PROPRIETARY AND CONFIDENTIAL**

The design, concept, drawing and or data expressed here-in are proprietary and may not be used, produced, copied or shared with others, in whole or in part. It is expressly prohibited without the written permission of Niagara.

**SUBMITTER INFORMATION**

Submitted By:
Address 1:
Address 2:
City:
State: Zip:

**PROJECT INFORMATION**

POC:
Address 1:
Address 2:
City:
State: Zip:



**ECOLOGIC®**  
NO FLAPPER.  
NO LEAKS.  
NO WORRIES.