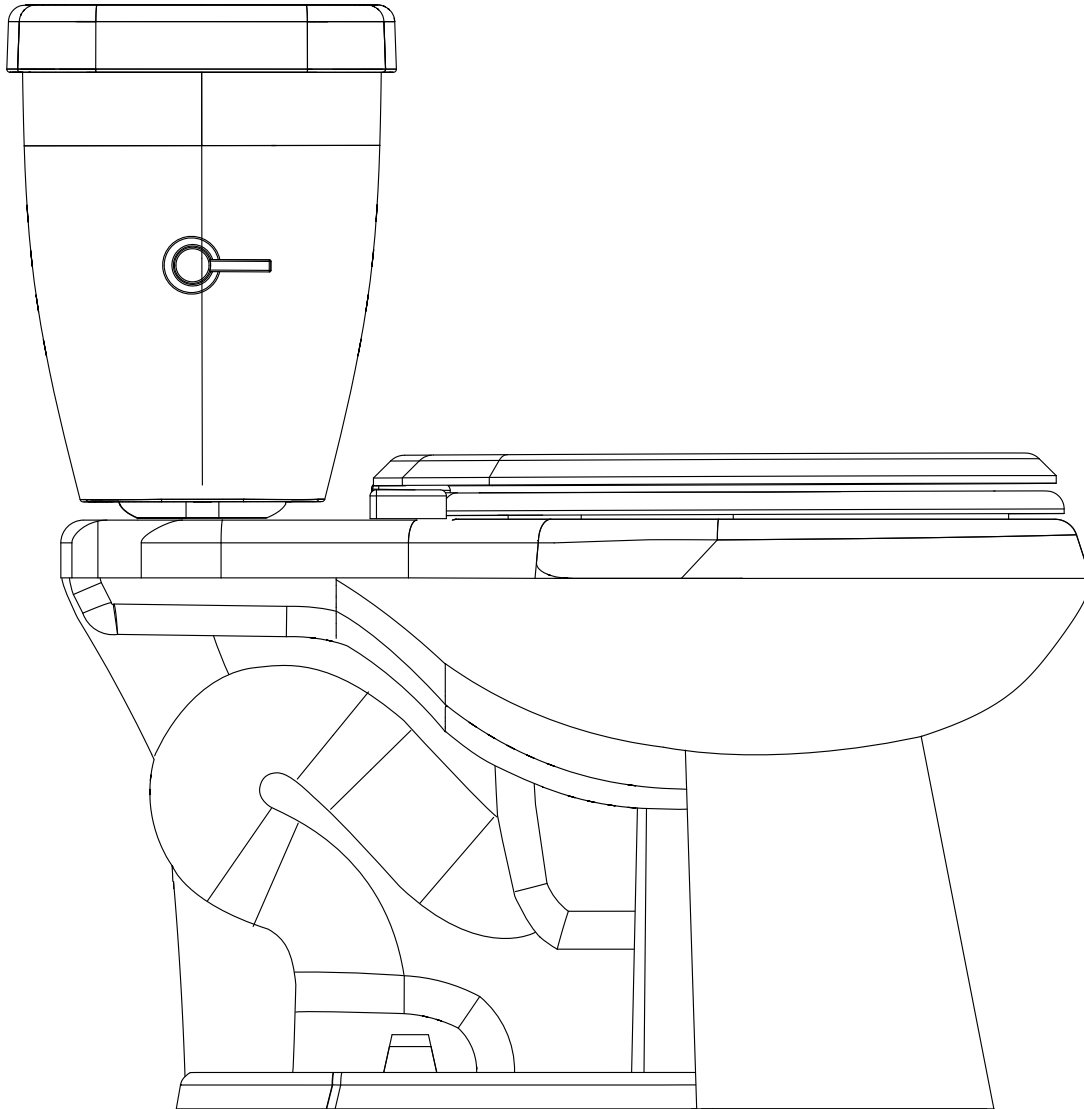


Drawing Title: EcoLogic Sentinel 1.28 Round - Side View

Drawing #: EcoLogic\_128\_N2235T&N2235RB

Scale: 1 to 5



**PROPRIETARY AND CONFIDENTIAL**

The design, concept, drawing and or data expressed here-in are proprietary and may not be used, produced, copied or shared with others, in whole or in part. It is expressly prohibited without the written permission of Niagara Conservation.

**SUBMITTER INFORMATION**

Submitted By:

Address 1:

Address 2:

City:

State:

Zip:

**PROJECT INFORMATION**

POC:

Address 1:

Address 2:

City:

State:

Zip:



**NIAGARA**  
CONSERVATION®

niagaracorp.com  
800.831.8383  
info@niagaracorp.com

REV. DATE: 09/22/16