

The Original Flapperless Toilet

ECOLOGIC[®]

Technology

Go Flapperless.[®]



SENTINEL 1.6 GPF ELONGATED BOWL

TANK - N2216T | BOWL - N2235EB | 10" - 12" Rough-In

FEATURES

- Uses 54% less water than a common 3.5 GPF toilet
- Excellent MaP scores
- Opposable handle positioning
- Flapperless tank with Fluidmaster fill valve
- Sweat-free tank
- Maintenance free, leak free, no double flushing
- Oversized footprint to cover unsightly wall or floor exposure

SPECIFICATIONS

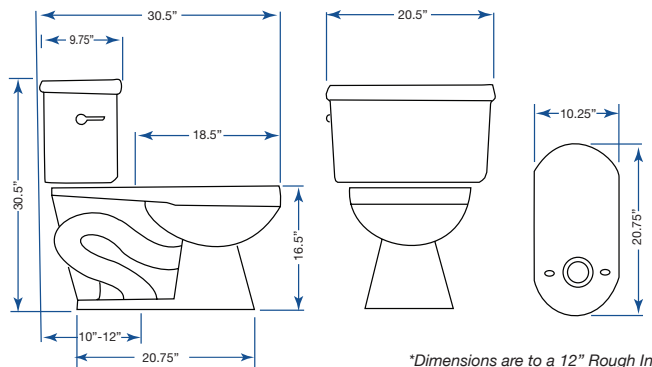
N2235EB Bowl and N2216T Tank

Technology	EcoLogic
Flush Rate	1.6 GPF
MaP Performance Score	1000g
ASME Certification	<input checked="" type="checkbox"/> A112.19.2
CSA Certification	<input checked="" type="checkbox"/> B45.1
EZ Height	<input checked="" type="checkbox"/> 16.5"
Materials	Vitreous China
Finish Color	White

NOTE: EZ Height is only ADA Compliant with appropriate seat configuration.

MEASUREMENTS

Bowl Dimensions:	14.5"W x 16.5"H x 28.75"D
Footprint:	20.75"L x 10.25"W
Water Spot:	8" x 6"
Assembled Dimensions:	20.5" W x 30.5" H x 30.5" D
Rough-In:	10" - 12"



*Dimensions are to a 12" Rough In



NIAGARA
CONSERVATION[®]

*LIMITED LIFETIME WARRANTY on vitreous china products. Toilet tank trim: fill valve and flush valve assembly and plumbing fittings are warranted for a period of ten years to the purchaser from the date of purchase. Call Niagara Conservation for complete warranty details.

CORPORATE HQ 1200 Lakeside Parkway, Suite 450, Flower Mound, Texas 75028 USA
(t) 800.831.8383 (p) 817.391.0800 (f) 682.200.6962 (e) info@niagaracorp.com

© 2016 Niagara Conservation

niagaracorp.com

SENTINEL 1.6 GPF ELONGATED BOWL

BULK PACKAGING

N2235EB Elongated

UPC Code 732291223515

Packaging Type Kraft Corrugated

Dimensions
15.5" W
17.5" H
29.75" D

Weight (Pkg.) 53 lbs

Skid Quantity 18 or 12

N2216T Tank

UPC Code 732291221627

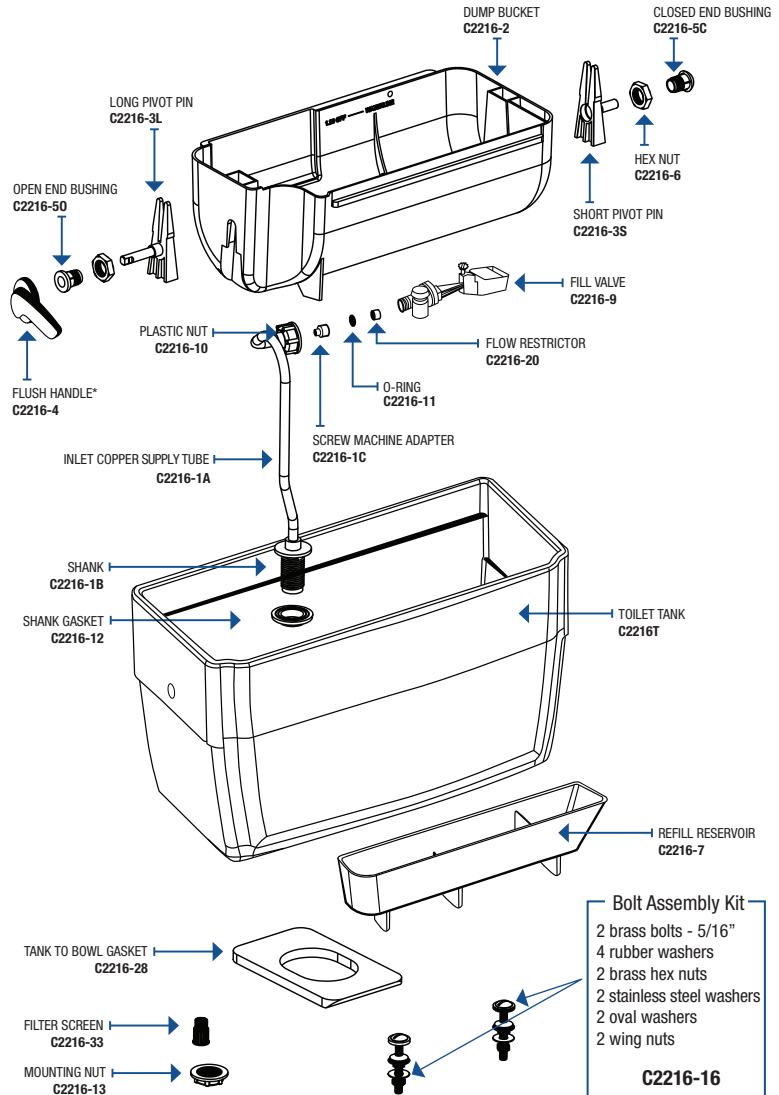
Packaging Type Kraft Corrugated

Dimensions
10" W
15.75" H
21.75" D

Weight (Pkg.) 43 lbs

Skid Quantity 30

ASSEMBLY / SPARE PARTS



*Flush handle left-hand assembly shown; reverse these parts for right-hand flush assembly.

INSTALLATION NOTES

Install this product according to the installation guide. For back-to-back toilet installations: Use only a 45° double wye fitting. Will comply with the Americans with Disabilities Act (ADA) when installed per the requirements of the 2010 ADA Standards of Accessible Design, Section 604 Water Closets, of the Act. The Model Plumbing Codes require the installation of elongated open-front toilet seats in public bathrooms. Will comply with CSA B651 when installed per Clause 4.3.6 of the standard. Will comply with OBC Barrier Free requirements when installed per Clause 3.8.3.8 and 3.8.3.9.