



The Original Flapperless Toilet

# ECOLOGIC<sup>®</sup>

Technology

## Go Flapperless.<sup>®</sup>



### SENTINEL 1.28 GPF ELONGATED BOWL

TANK - N2235T | BOWL - N2235EB | 10" - 12" Rough-In

#### FEATURES

- Uses 60% less water than a common 3.5 GPF toilet
- Excellent MaP scores
- Opposable handle positioning
- Flapperless tank with Fluidmaster fill valve
- Sweat-free tank
- Maintenance free, leak free, no double flushing

#### SPECIFICATIONS

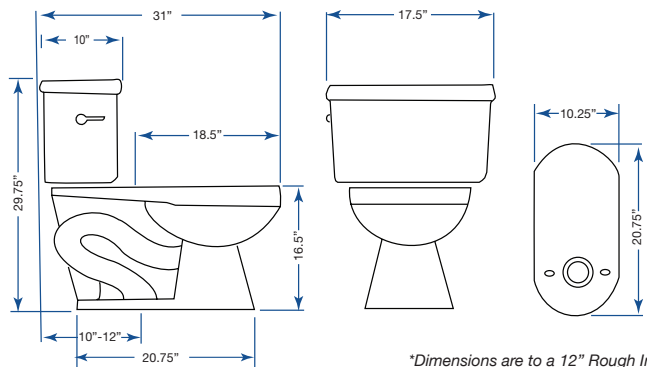
##### N2235EB Bowl and N2235T Tank

Technology	EcoLogic
Flush Rate	1.28 GPF
MaP Performance Score	1000g
Efficiency Rating	HET
ASME Certification	<input checked="" type="checkbox"/> A112.19.2
CSA Certification	<input checked="" type="checkbox"/> B45.1
WaterSense Labeled	<input checked="" type="checkbox"/>
EZ Height	<input checked="" type="checkbox"/> 16.5"
Materials	Vitreous China
Finish Color	White

NOTE: EZ Height is only ADA Compliant with appropriate seat configuration.

#### MEASUREMENTS

Bowl Dimensions:	14.5"W x 16.5"H x 28.75"D
Footprint:	20.75"L x 10.25"W
Water Spot:	8" x 6"
Assembled Dimensions:	17.5" W x 29.75" H x 31" D
Rough-In:	10" - 12"



\*Dimensions are to a 12" Rough In



**NIAGARA**  
CONSERVATION<sup>®</sup>

\*LIMITED LIFETIME WARRANTY on vitreous china products. Toilet tank trim: fill valve and flush valve assembly and plumbing fittings are warranted for a period of ten years to the purchaser from the date of purchase. Call Niagara Conservation for complete warranty details.

**CORPORATE HQ** 1200 Lakeside Parkway, Suite 450, Flower Mound, Texas 75028 USA  
(t) 800.831.8383 (p) 817.391.0800 (f) 682.200.6962 (e) info@niagaracorp.com

© 2016 Niagara Conservation

[niagaracorp.com](http://niagaracorp.com)

# SENTINEL 1.28 GPF ELONGATED BOWL

## BULK PACKAGING

### N2235EB Elongated

UPC Code 732291223515

Packaging Type Kraft Corrugated

Dimensions  
15.5" W  
17.5" H  
29.75" D

Weight (Pkg.) 53 lbs

Skid Quantity 18 or 12

### N2235T Tank

UPC Code 732291223522

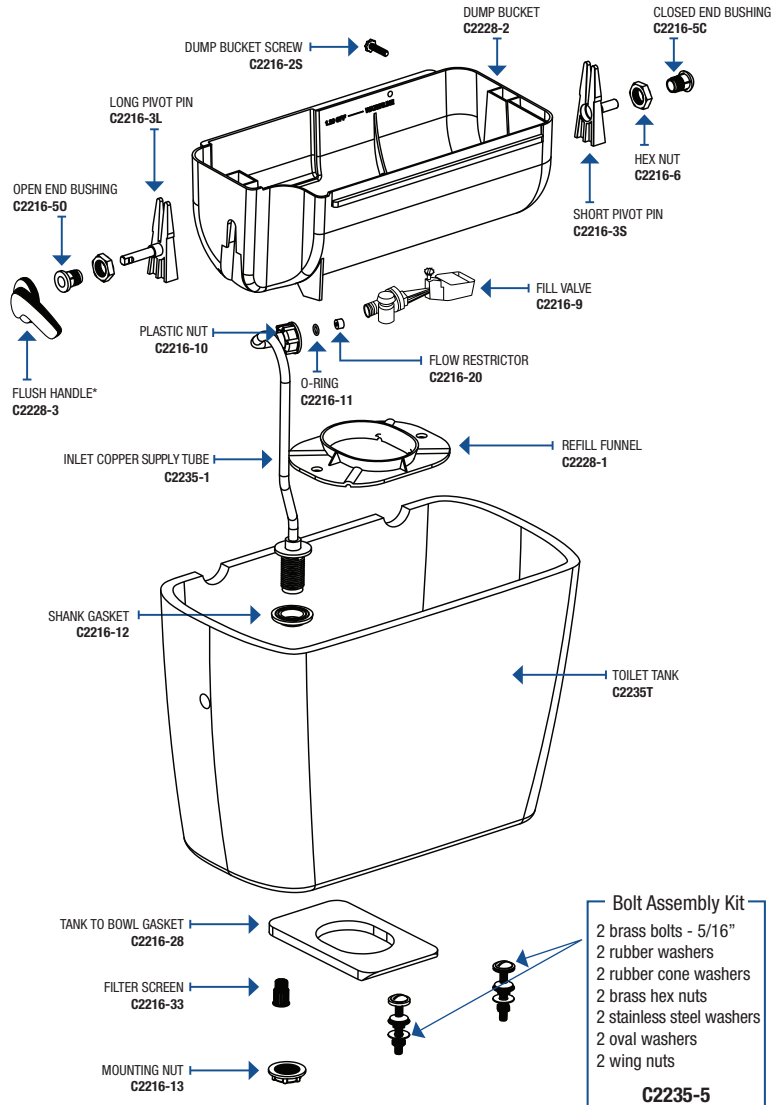
Packaging Type Kraft Corrugated

Dimensions  
10.5" W  
15.75" H  
18.5" D

Weight (Pkg.) 37 lbs

Skid Quantity 30

## ASSEMBLY / SPARE PARTS



\*Flush handle left-hand assembly shown; reverse these parts for right-hand flush assembly.

## INSTALLATION NOTES

Install this product according to the installation guide. For back-to-back toilet installations: Use only a 45° double wye fitting. Will comply with the Americans with Disabilities Act (ADA) when installed per the requirements of the 2010 ADA Standards of Accessible Design, Section 604 Water Closets, of the Act. The Model Plumbing Codes require the installation of elongated open-front toilet seats in public bathrooms. Will comply with CSA B651 when installed per Clause 4.3.6 of the standard. Will comply with OBC Barrier Free requirements when installed per Clause 3.8.3.8 and 3.8.3.9.