



EARTH™

FIXED MOUNT SHOWERHEAD

with Soap & Soak Valve

FEATURES

- Three Spray Settings: 9-Jet Spray, Shower and Combo
- Non-removable flow compensator
- Non-aerated spray means less temperature loss with maximum energy savings
- Even, vacillating motion with a large spray diameter
- Steady stream with a large spray diameter
- Patented Equiforce™ Technology guarantees a consistent flow rate across a wide range of pressure
- 10 year warranty



SPECIFICATIONS



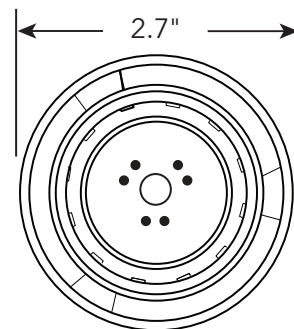
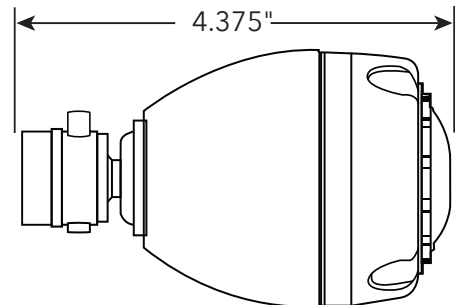
Item Number	Flow Rate	Finish	Spray
N2915-V	1.5 GPM	White	3 Function
N2920-V	2.0 GPM	White	3 Function

Technology: Equiforce™

Materials: Body: Durable ABS plastic with metal ball joint

ASME/CSA Certified: ASME A112.18.1 / CSA B125.1

MEASUREMENTS



*WARRANTY DETAILS: Niagara Conservation™ guarantees to the original purchaser or recipient of an aerator or showerhead that it is free from defects in material and workmanship for a period of 10 years. Niagara will, at our choice, replace any part of the aerator or showerhead which is, in our opinion, defective provided that the product has not been abused, misused, altered, or damaged after its purchase. This includes damage due to the use of tools or harsh chemicals. Call Niagara for complete warranty details.