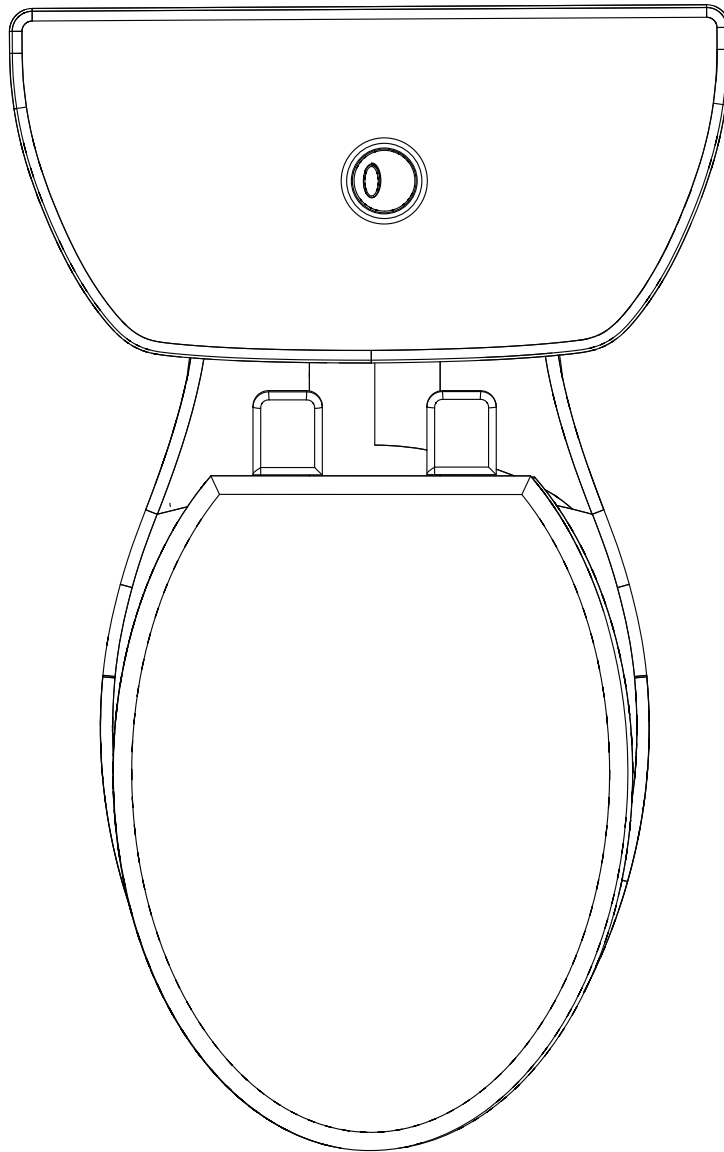


**Drawing Title:** Stealth Dual Flush Elongated - Top View

**Drawing #:** Stealth\_DF\_EB\_N7717&N7714T-DF

**Scale:** 1 to 5



**PROPRIETARY AND CONFIDENTIAL**

The design, concept, drawing and or data expressed here-in are proprietary and may not be used, produced, copied or shared with others, in whole or in part. It is expressly prohibited without the written permission of Niagara.

**SUBMITTER INFORMATION**

Submitted By:
Address 1:
Address 2:
City:
State: Zip:

**PROJECT INFORMATION**

POC:
Address 1:
Address 2:
City:
State: Zip:

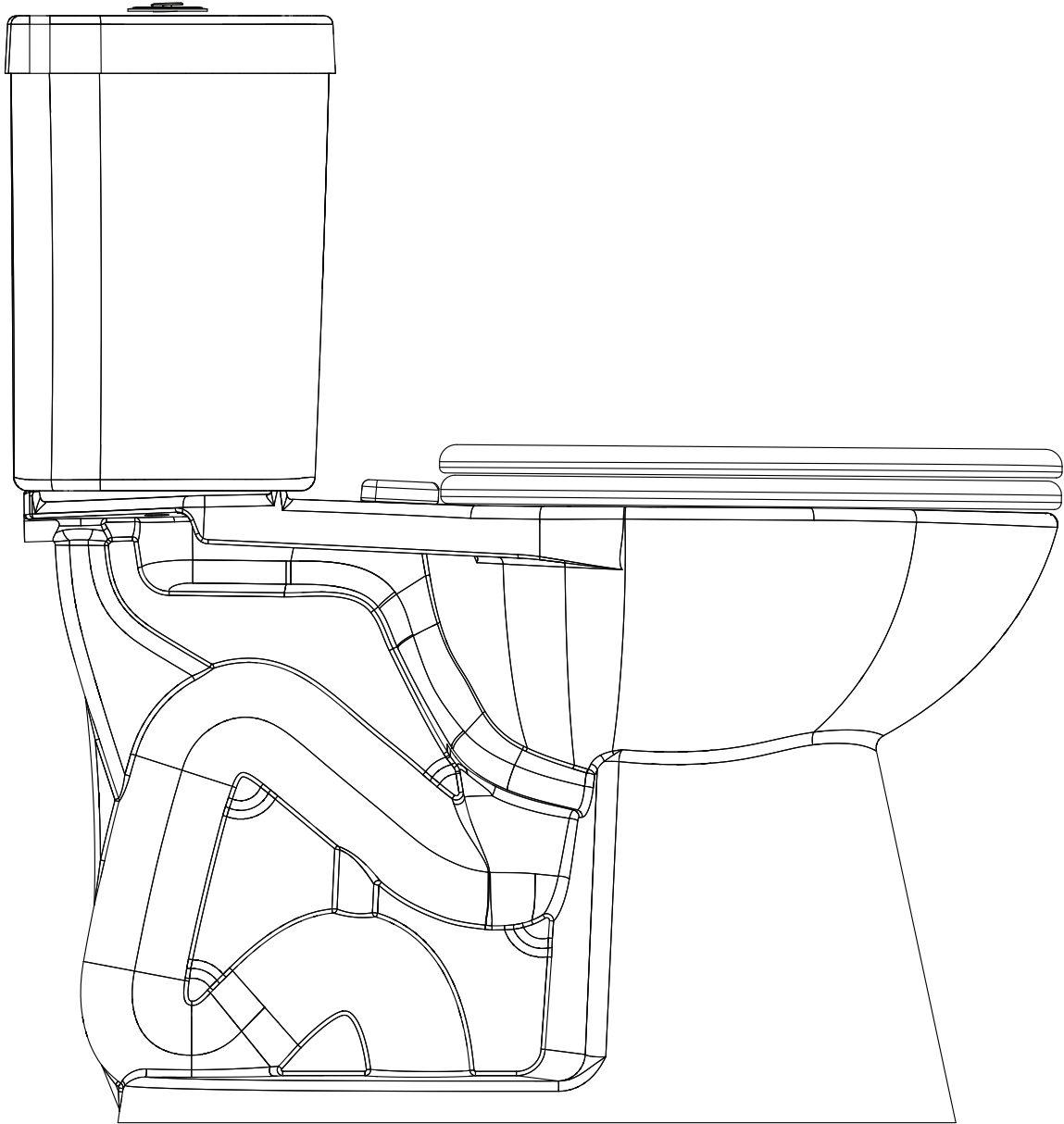


**STEALTH®**  
HIGH-POWER.  
LOW-MAINTENANCE.  
NO WASTE.

**Drawing Title:** Stealth Dual Flush Elongated - Side View

**Drawing #:** Stealth\_DF\_EB\_N7717&N7714T-DF

**Scale:** 1 to 5



**PROPRIETARY AND CONFIDENTIAL**

The design, concept, drawing and or data expressed here-in are proprietary and may not be used, produced, copied or shared with others, in whole or in part. It is expressly prohibited without the written permission of Niagara.

**SUBMITTER INFORMATION**

Submitted By:

Address 1:

Address 2:

City:

State: Zip:

**PROJECT INFORMATION**

POC:

Address 1:

Address 2:

City:

State: Zip:

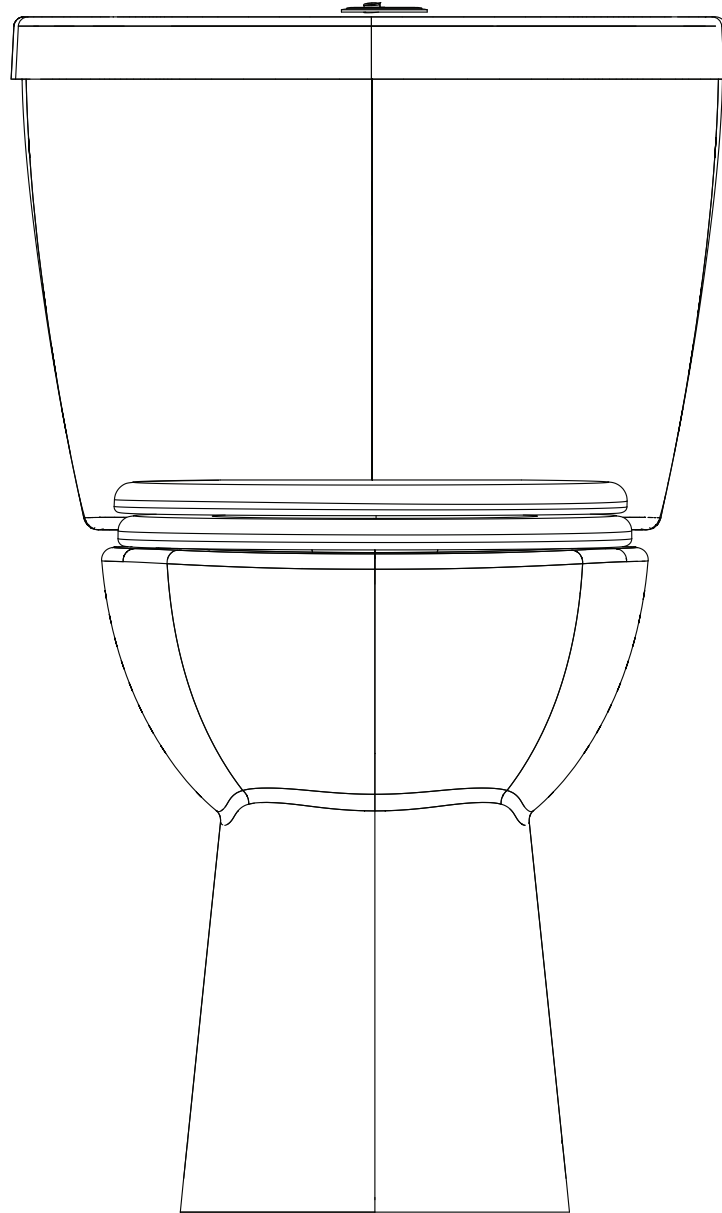


**STEALTH®**  
HIGH-POWER.  
LOW-MAINTENANCE.  
NO WASTE.

**Drawing Title:** Stealth Dual Flush Elongated - Front View

**Drawing #:** Stealth\_DF\_EB\_N7717&N7714T-DF

**Scale:** 1 to 5



**PROPRIETARY AND CONFIDENTIAL**

The design, concept, drawing and or data expressed here-in are proprietary and may not be used, produced, copied or shared with others, in whole or in part. It is expressly prohibited without the written permission of Niagara.

**SUBMITTER INFORMATION**

Submitted By:

Address 1:

Address 2:

City:

State: Zip:

**PROJECT INFORMATION**

POC:

Address 1:

Address 2:

City:

State: Zip:



**STEALTH®**  
HIGH-POWER.  
LOW-MAINTENANCE.  
NO WASTE.