



STEALTH®

QUIET. POWERFUL. PROVEN.™

THE WORLD'S ONLY ULTRA-HIGH-EFFICIENCY TOILETS



THE ORIGINAL 0.8 GPF SINGLE FLUSH ROUND BOWL

BOWL - N7726RB | TANK - N7714TFH | 10" Rough-In

FEATURES

- Quiet, powerful flush delivered with a patented Stealth flush chamber and air transfer system
- Reliable standard Fluidmaster fill valve
- One flush thoroughly evacuates the bowl every time, eliminating double flushing
- Smooth, low friction ceramic surface helps achieve a clear bowl every time
- Two-piece toilet
- Stylish and durable side flush handle
- EZ Height design makes it easier to sit and stand
- No flapper to cause leakage

SPECIFICATIONS

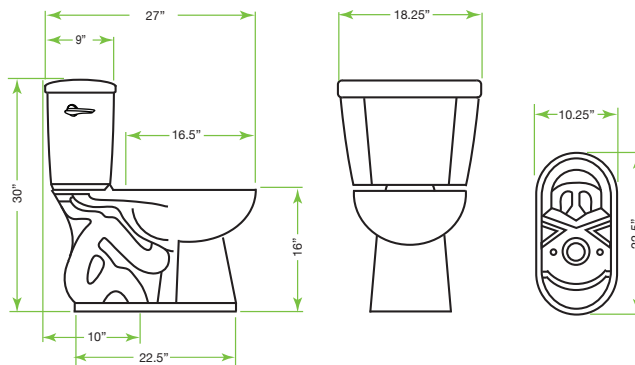
N7726RB Bowl and N7714TFH Tank

Technology	Stealth
Flush Rate	0.8 GPF
MaP Performance Score	800g - MaP Premium
Efficiency Rating	UHET
ASME Certification	✓ A112.19.2
CSA Certification	✓ B45.1
WaterSense Labeled	✓
ADA Compliant	✓
EZ Height	✓ 16"
Materials	Vitreous China
Finish Color	White

NOTE: EZ Height is only ADA Compliant with appropriate seat configuration.

MEASUREMENTS

Bowl Dimensions:	14"W x 16"H x 26.5"D
Footprint:	22.5"L x 10.25"W
Water Spot:	8" x 6"
Assembled Dimensions:	18.75" W x 30" H x 27" D
Rough-In:	10"



NIAGARA
CONSERVATION®

*LIMITED LIFETIME WARRANTY on vitreous china products. Toilet tank trim: fill valve and flush valve assembly and plumbing fittings are warranted for a period of ten years to the purchaser from the date of purchase. Call Niagara Conservation for complete warranty details.

CORPORATE HQ 1200 Lakeside Parkway, Suite 450, Flower Mound, Texas 75028 USA
(t) 800.831.8383 (p) 817.391.0800 (f) 682.200.6962 (e) info@niagaracorp.com

© 2016 Niagara Conservation

niagaracorp.com

STEALTH®

THE ORIGINAL 0.8 GPF SINGLE FLUSH ROUND BOWL

BULK PACKAGING

N7726RB Round

UPC Code 732291772600

Packaging Type Kraft Corrugated

Dimensions 15.5" W
16.5" H
27.5" D

Weight (Pkg.) 50 lbs

Skid Quantity 18 or 12

N7714TFH Tank

UPC Code 732291771450

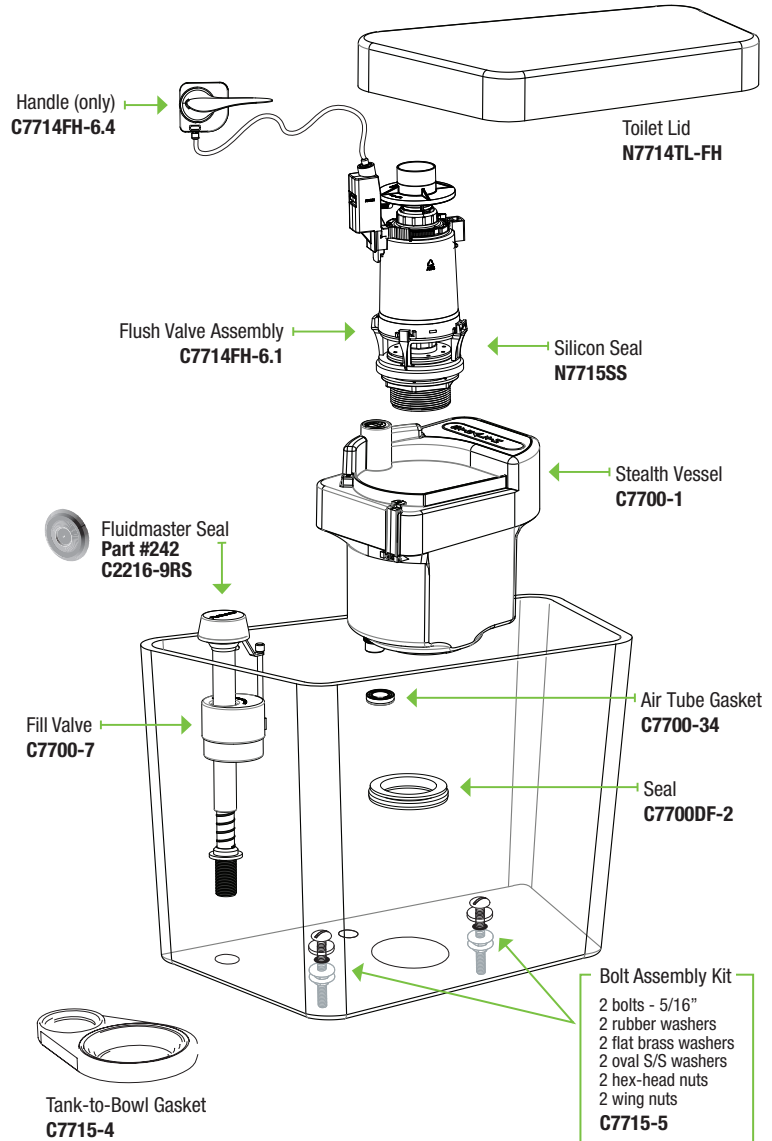
Packaging Type Kraft Corrugated

Dimensions 9.5" W
15.5" H
19" D

Weight (Pkg.) 37 lbs

Skid Quantity 30

ASSEMBLY / SPARE PARTS



INSTALLATION NOTES

Install this product according to the installation guide. For back-to-back toilet installations: Use only a 45° double wye fitting. Will comply with the Americans with Disabilities Act (ADA) when installed per the requirements of the 2010 ADA Standards of Accessible Design, Section 604 Water Closets, of the Act. The Model Plumbing Codes require the installation of elongated open-front toilet seats in public bathrooms. Will comply with CSA B651 when installed per Clause 4.3.6 of the standard. Will comply with OBC Barrier Free requirements when installed per Clause 3.8.3.8 and 3.8.3.9.