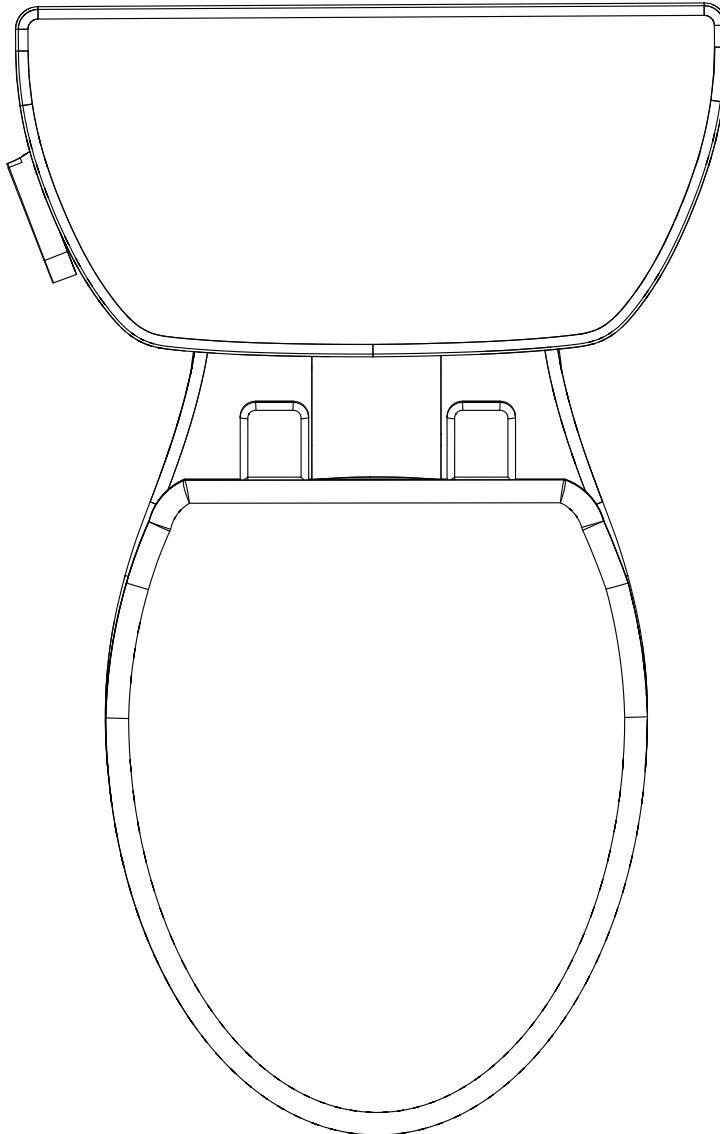


Drawing Title: Stealth Side Handle Elongated - Top View

Drawing #: Stealth_SFH_EB_N7717&N7714TFH

Scale: 1 to 5



PROPRIETARY AND CONFIDENTIAL

The design, concept, drawing and or data expressed here-in are proprietary and may not be used, produced, copied or shared with others, in whole or in part. It is expressly prohibited without the written permission of Niagara.

SUBMITTER INFORMATION

Submitted By:
Address 1:
Address 2:
City:
State: Zip:

PROJECT INFORMATION

POC:
Address 1:
Address 2:
City:
State: Zip:

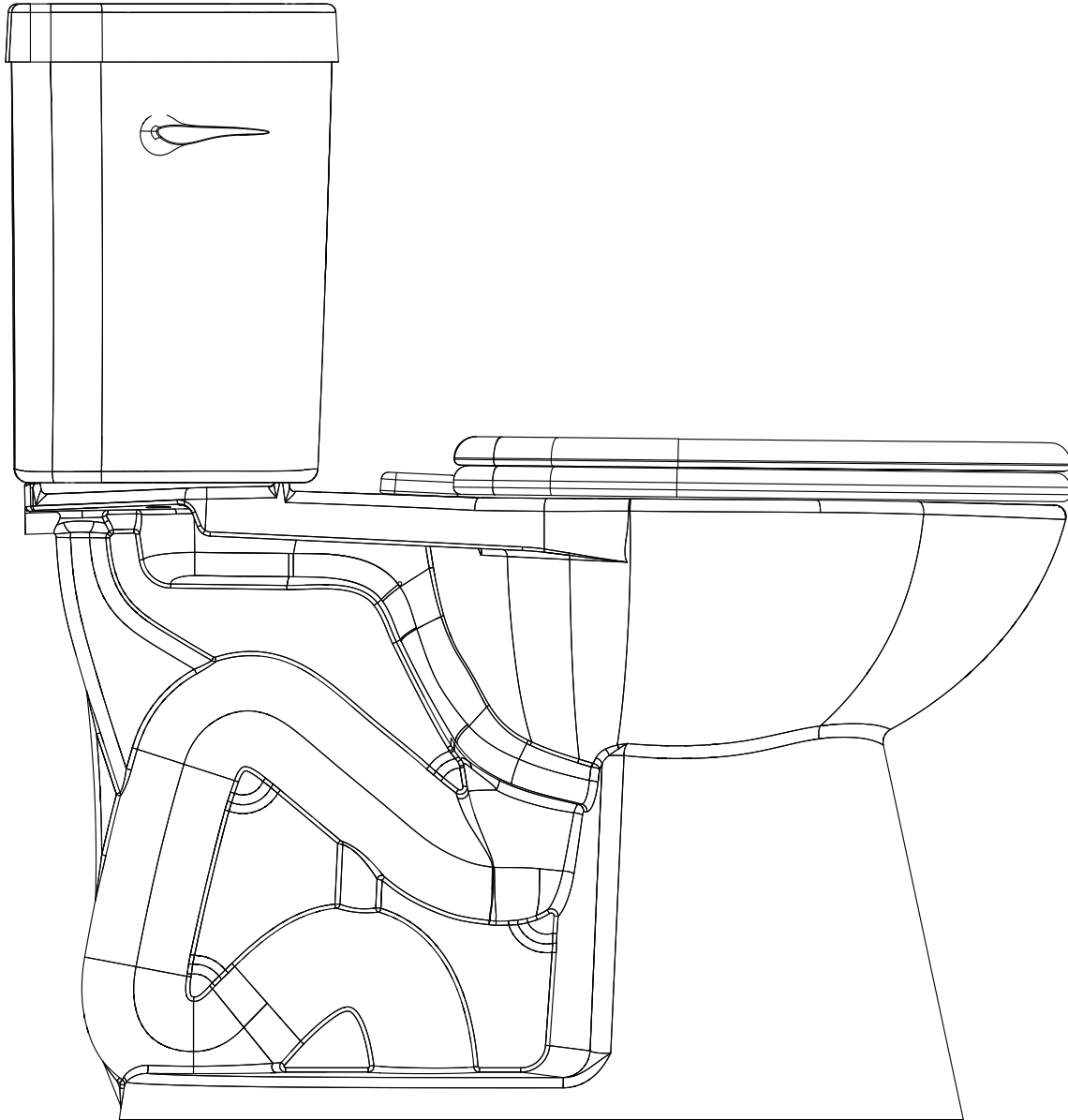


STEALTH™
HIGH POWER.
LOW MAINTENANCE.
NO WASTE.

Drawing Title: Stealth Side Handle Elongated - Side View

Drawing #: Stealth_SFH_EB_N7717&N7714TFH

Scale: 1 to 5



PROPRIETARY AND CONFIDENTIAL

The design, concept, drawing and or data expressed here-in are proprietary and may not be used, produced, copied or shared with others, in whole or in part. It is expressly prohibited without the written permission of Niagara.

SUBMITTER INFORMATION

Submitted By:

Address 1:

Address 2:

City:

State: Zip:

PROJECT INFORMATION

POC:

Address 1:

Address 2:

City:

State: Zip:

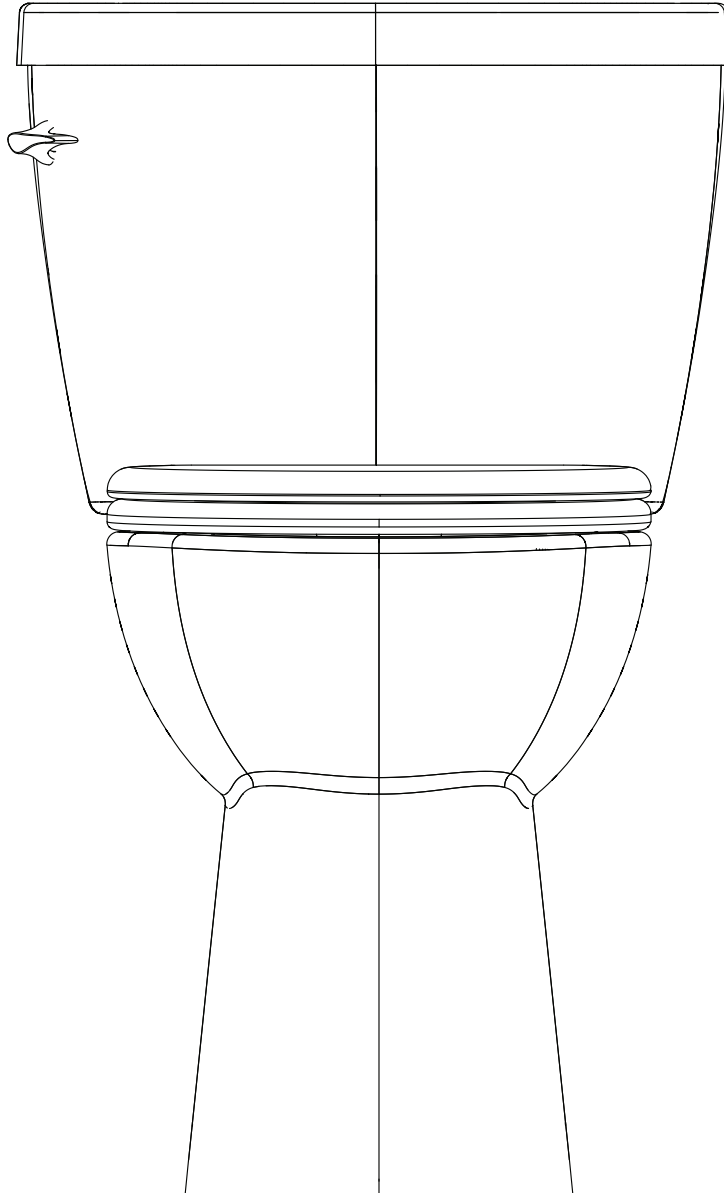


STEALTH™
HIGH POWER.
LOW MAINTENANCE.
NO WASTE.

Drawing Title: Stealth Side Handle Elongated - Front View

Drawing #: Stealth_SFH_EB_N7717&N7714TFH

Scale: 1 to 5



PROPRIETARY AND CONFIDENTIAL

The design, concept, drawing and or data expressed here-in are proprietary and may not be used, produced, copied or shared with others, in whole or in part. It is expressly prohibited without the written permission of Niagara.

SUBMITTER INFORMATION

Submitted By:
Address 1:
Address 2:
City:
State: Zip:

PROJECT INFORMATION

POC:
Address 1:
Address 2:
City:
State: Zip:



STEALTH™
HIGH POWER.
LOW MAINTENANCE.
NO WASTE.