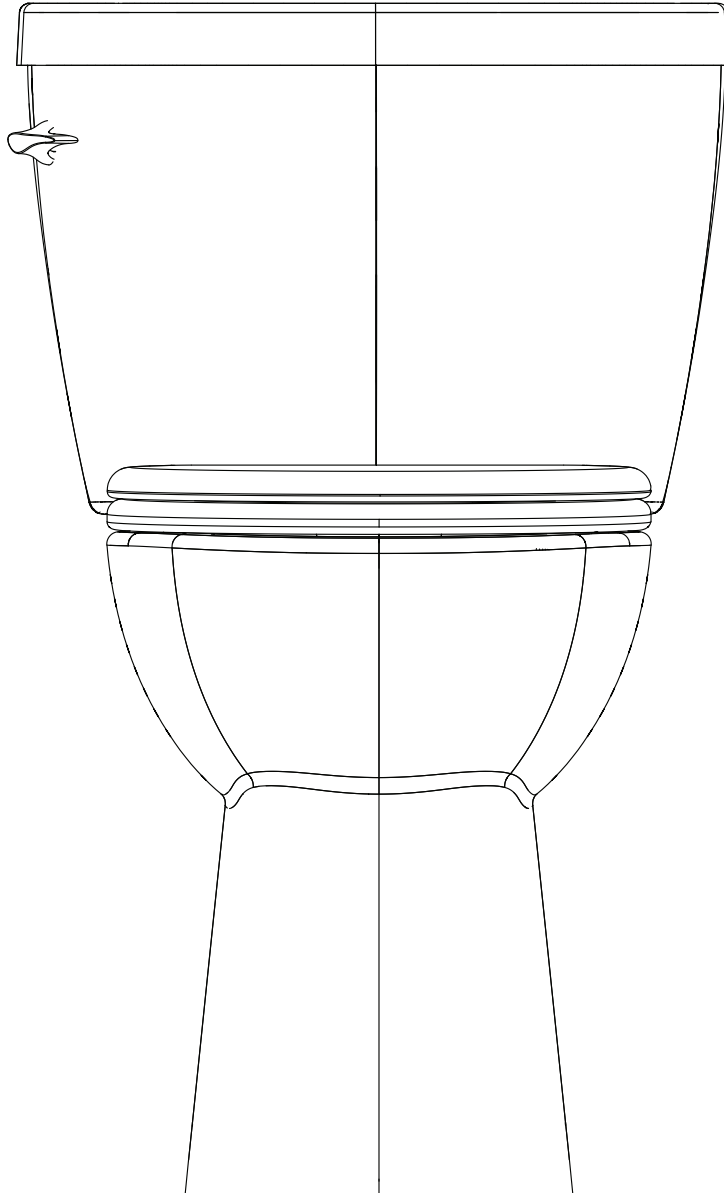


**Drawing Title:** Stealth Side Handle Elongated - Front View

**Drawing #:** Stealth\_SFH\_EB\_N7717&N7714TFH

**Scale:** 1 to 5



**PROPRIETARY AND CONFIDENTIAL**

The design, concept, drawing and or data expressed here-in are proprietary and may not be used, produced, copied or shared with others, in whole or in part. It is expressly prohibited without the written permission of Niagara.

**SUBMITTER INFORMATION**

Submitted By:

Address 1:

Address 2:

City:

State: Zip:

**PROJECT INFORMATION**

POC:

Address 1:

Address 2:

City:

State: Zip:



**STEALTH**<sup>®</sup>  
HIGH-POWER.  
LOW-MAINTENANCE.  
NO WASTE.