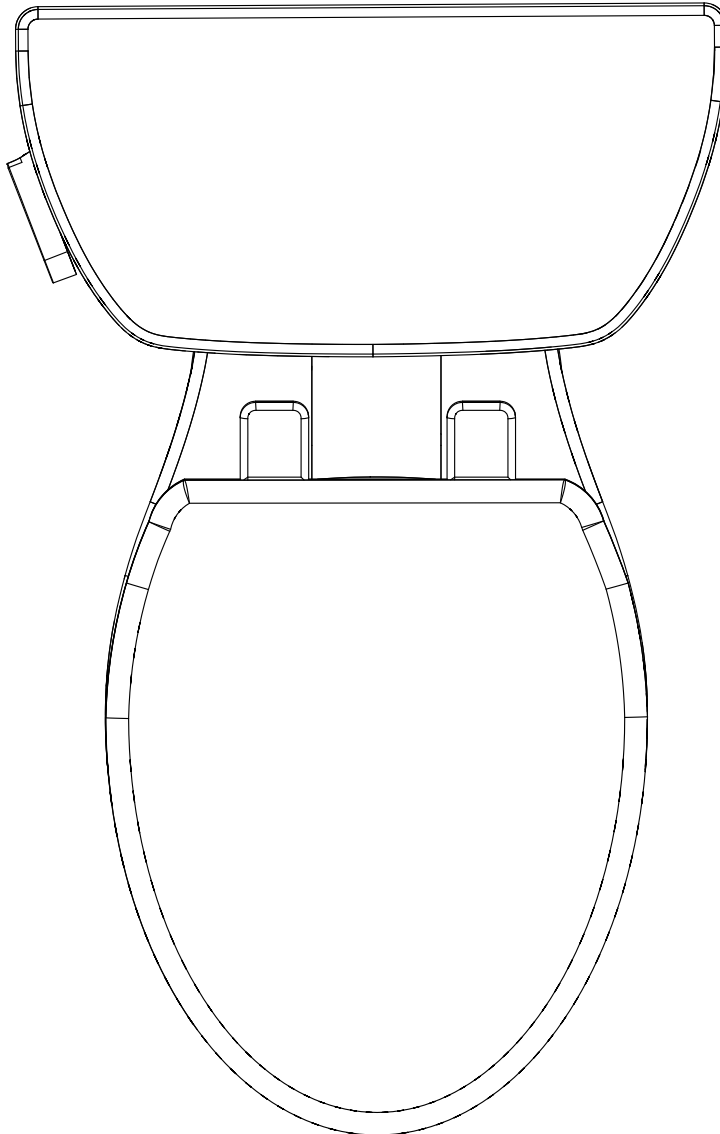


Drawing Title: Stealth Side Handle Elongated - Top View

Drawing #: Stealth_SFH_EB_N7717&N7714TFH

Scale: 1 to 5

STEALTH[®]



PROPRIETARY AND CONFIDENTIAL

The design, concept, drawing and or data expressed here-in are proprietary and may not be used, produced, copied or shared with others, in whole or in part. It is expressly prohibited without the written permission of Niagara Conservation.

SUBMITTER INFORMATION

Submitted By:

Address 1:

Address 2:

City:

State:

Zip:

PROJECT INFORMATION

POC:

Address 1:

Address 2:

City:

State:

Zip:



NIAGARA
CONSERVATION[®]

niagaracorp.com
800.831.8383
info@niagaracorp.com

REV. DATE: 09/22/16