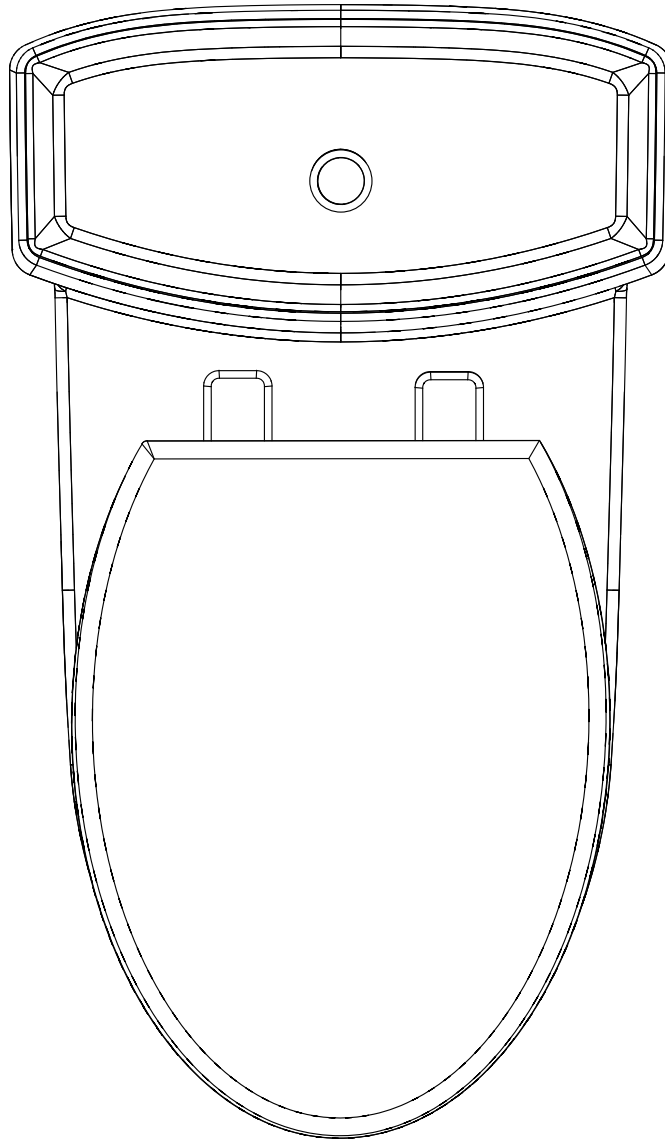


Drawing Title: Stealth One Piece - Top View

Drawing #: Stealth\_SF\_EB\_N7711

Scale: 1 to 5

**STEALTH**<sup>®</sup>



**PROPRIETARY AND CONFIDENTIAL**

The design, concept, drawing and or data expressed here-in are proprietary and may not be used, produced, copied or shared with others, in whole or in part. It is expressly prohibited without the written permission of Niagara Conservation.

**SUBMITTER INFORMATION**

Submitted By:

Address 1:

Address 2:

City:

State:

Zip:

**PROJECT INFORMATION**

POC:

Address 1:

Address 2:

City:

State:

Zip:



**NIAGARA**  
CONSERVATION<sup>®</sup>

niagaracorp.com  
800.831.8383  
info@niagaracorp.com

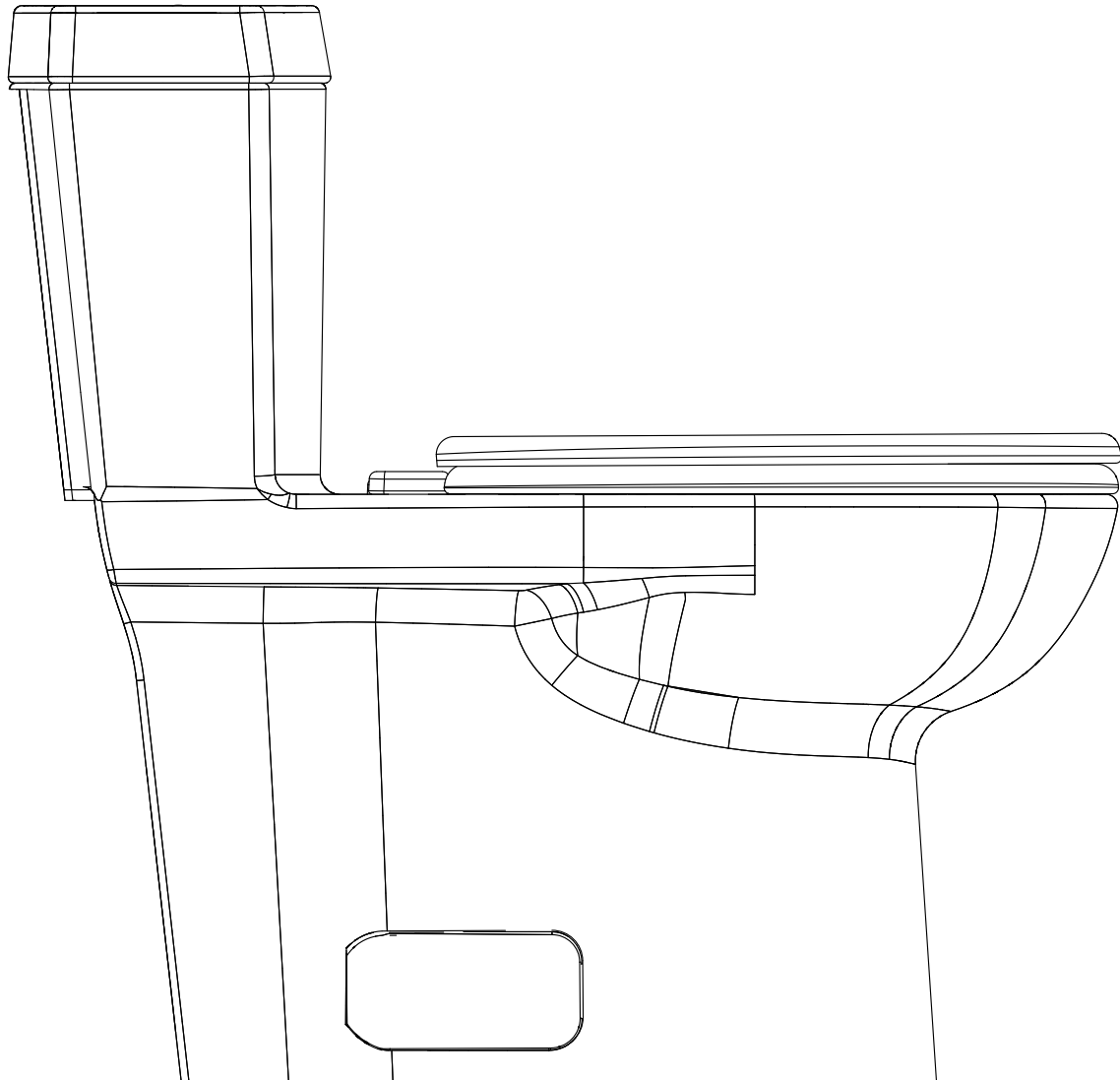
REV. DATE: 09/22/16

Drawing Title: Stealth One Piece - Side View

Drawing #: Stealth\_SF\_EB\_N7711

Scale: 1 to 5

**STEALTH**<sup>®</sup>



**PROPRIETARY AND CONFIDENTIAL**

The design, concept, drawing and or data expressed here-in are proprietary and may not be used, produced, copied or shared with others, in whole or in part. It is expressly prohibited without the written permission of Niagara Conservation.

**SUBMITTER INFORMATION**

Submitted By:

Address 1:

Address 2:

City:

State:

Zip:

**PROJECT INFORMATION**

POC:

Address 1:

Address 2:

City:

State:

Zip:



**NIAGARA**  
CONSERVATION<sup>®</sup>

niagaracorp.com  
800.831.8383  
info@niagaracorp.com

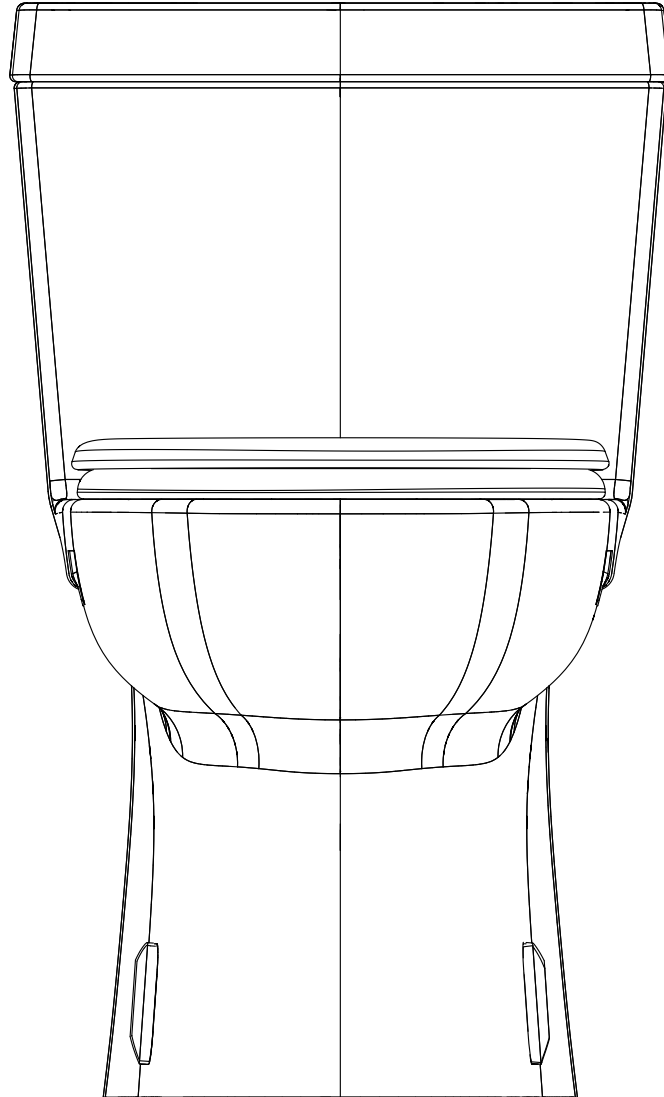
REV. DATE: 09/22/16

Drawing Title: Stealth One Piece - Front View

Drawing #: Stealth\_SF\_EB\_N7711

Scale: 1 to 5

**STEALTH**<sup>®</sup>



**PROPRIETARY AND CONFIDENTIAL**

The design, concept, drawing and or data expressed here-in are proprietary and may not be used, produced, copied or shared with others, in whole or in part. It is expressly prohibited without the written permission of Niagara Conservation.

**SUBMITTER INFORMATION**

Submitted By:

Address 1:

Address 2:

City:

State:

Zip:

**PROJECT INFORMATION**

POC:

Address 1:

Address 2:

City:

State:

Zip:



**NIAGARA**  
CONSERVATION<sup>®</sup>

niagaracorp.com  
800.831.8383  
info@niagaracorp.com

REV. DATE: 09/22/16