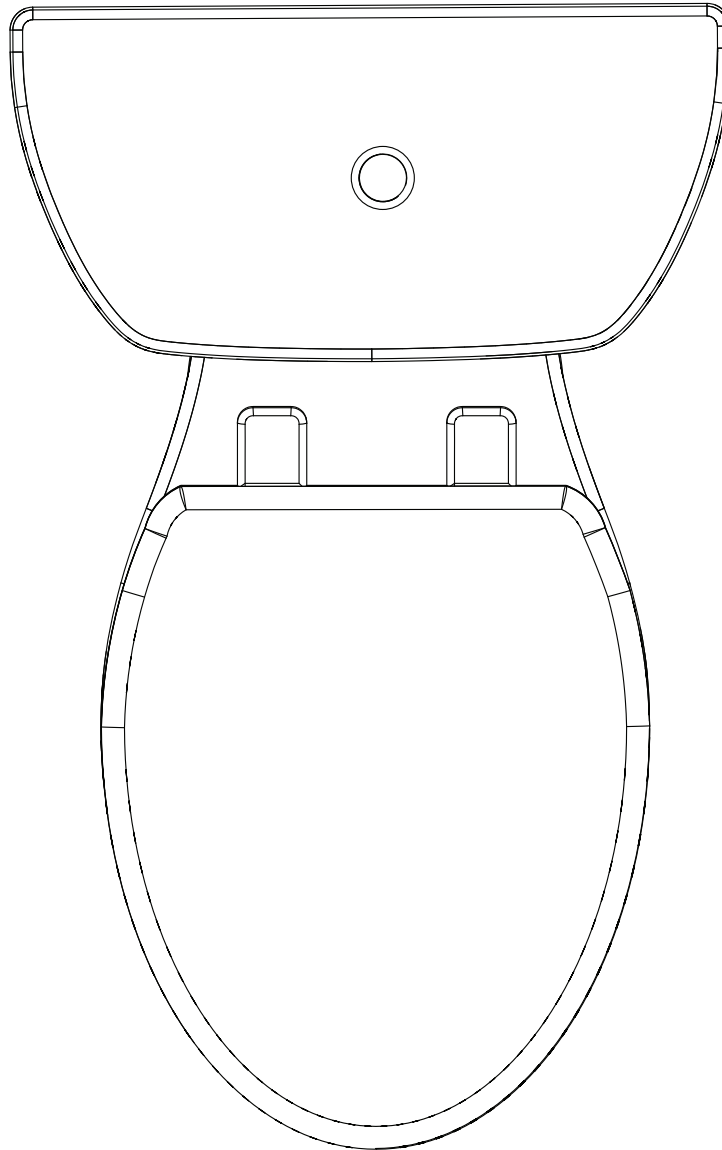


Drawing Title: Stealth Single Flush Elongated - Top View

Drawing #: Stealth_SF_EB_N7717&N7714

Scale: 1 to 5



PROPRIETARY AND CONFIDENTIAL

The design, concept, drawing and or data expressed here-in are proprietary and may not be used, produced, copied or shared with others, in whole or in part. It is expressly prohibited without the written permission of Niagara.

SUBMITTER INFORMATION

Submitted By:
Address 1:
Address 2:
City:
State: Zip:

PROJECT INFORMATION

POC:
Address 1:
Address 2:
City:
State: Zip:

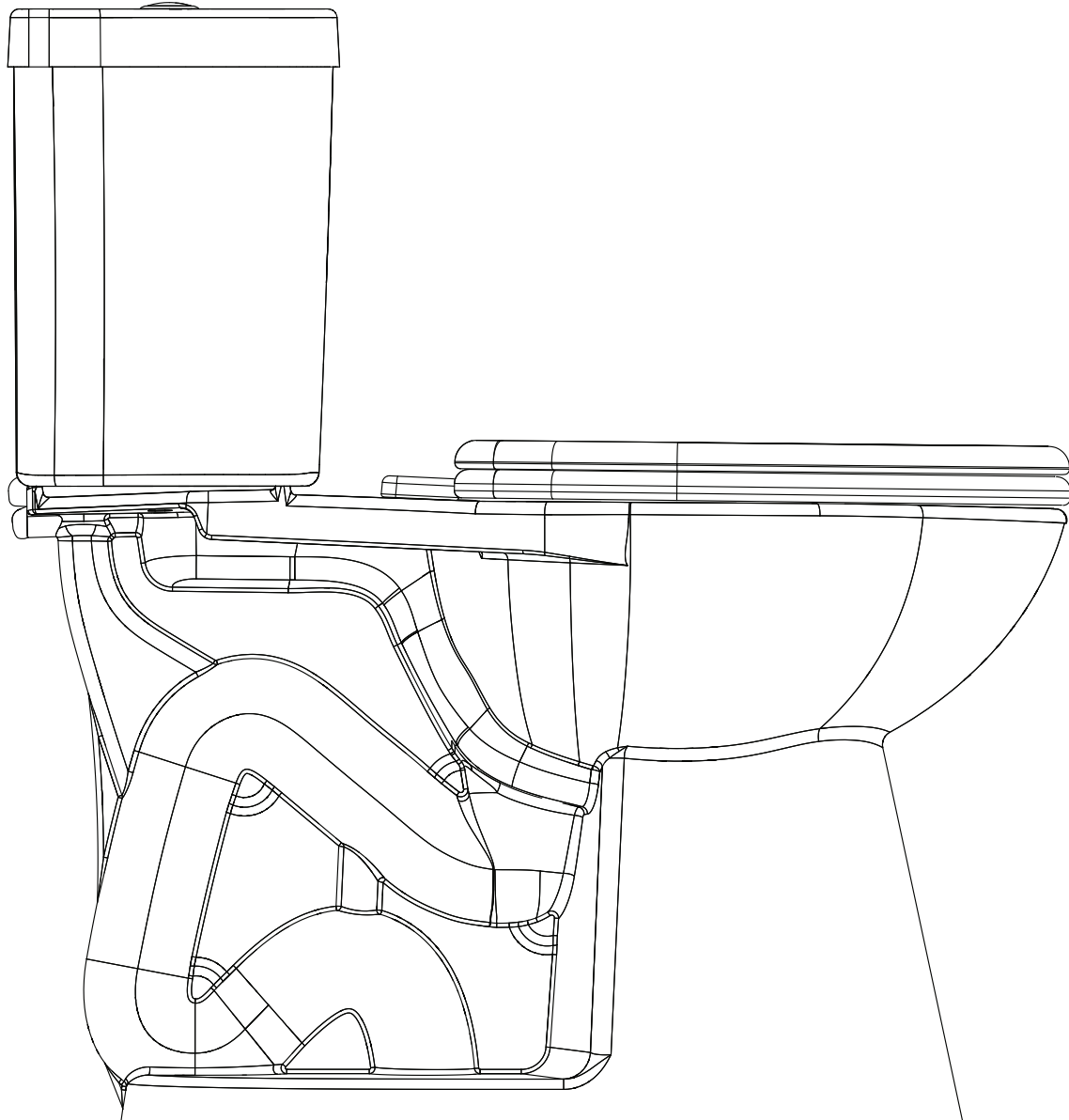


STEALTH®
HIGH-POWER.
LOW-MAINTENANCE.
NO WASTE.

Drawing Title: Stealth Single Flush Elongated - Side View

Drawing #: Stealth_SF_EB_N7717&N7714

Scale: 1 to 5



PROPRIETARY AND CONFIDENTIAL

The design, concept, drawing and or data expressed here-in are proprietary and may not be used, produced, copied or shared with others, in whole or in part. It is expressly prohibited without the written permission of Niagara.

SUBMITTER INFORMATION

Submitted By:

Address 1:

Address 2:

City:

State: Zip:

PROJECT INFORMATION

POC:

Address 1:

Address 2:

City:

State: Zip:

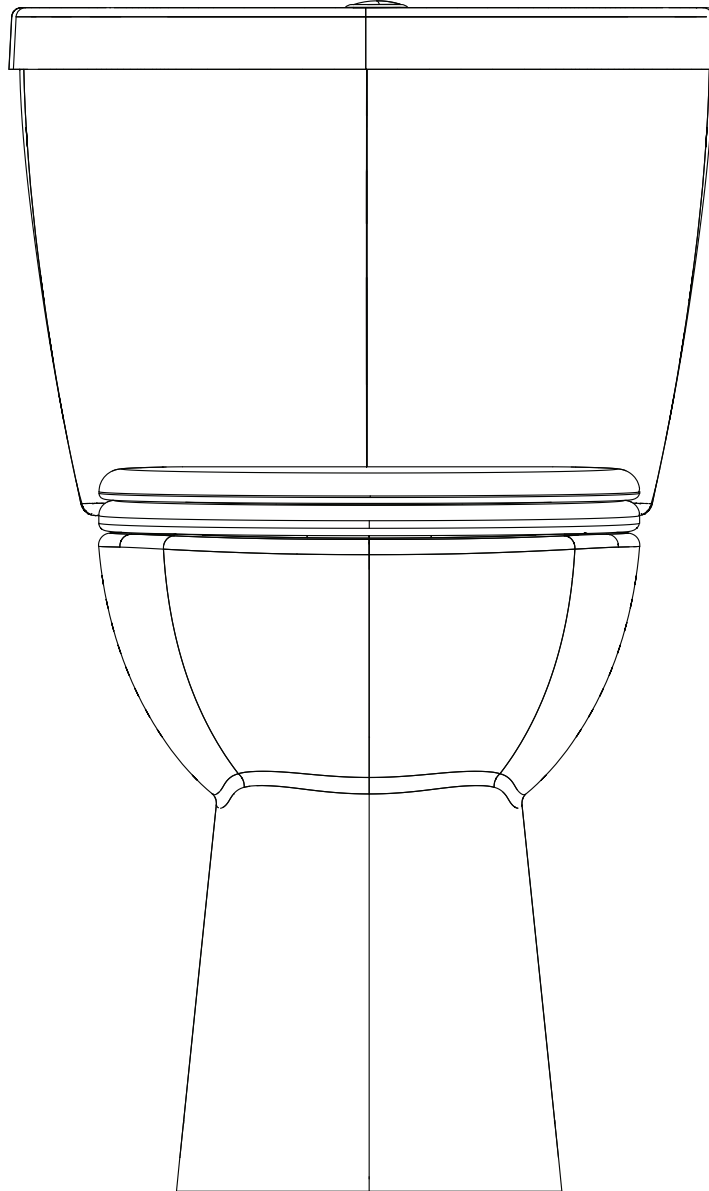


STEALTH®
HIGH-POWER.
LOW-MAINTENANCE.
NO WASTE.

Drawing Title: Stealth Single Flush Elongated - Front View

Drawing #: Stealth_SF_EB_N7717&N7714

Scale: 1 to 5



PROPRIETARY AND CONFIDENTIAL

The design, concept, drawing and or data expressed here-in are proprietary and may not be used, produced, copied or shared with others, in whole or in part. It is expressly prohibited without the written permission of Niagara.

SUBMITTER INFORMATION

Submitted By:	
Address 1:	
Address 2:	
City:	
State: Zip:	

PROJECT INFORMATION

POC:	
Address 1:	
Address 2:	
City:	
State: Zip:	



STEALTH®
HIGH-POWER.
LOW-MAINTENANCE.
NO WASTE.